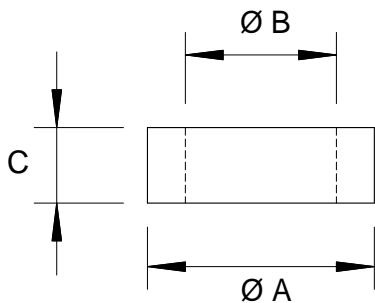
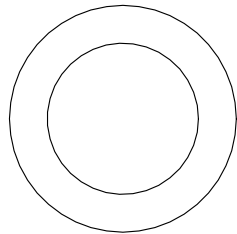
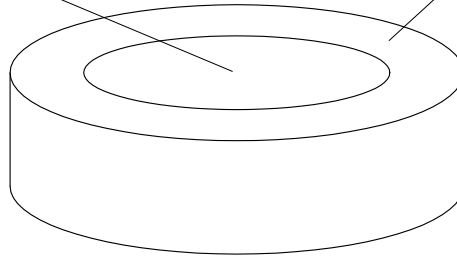


1. Orientierung

2. Orientierung



| | |
|---------------------------|----------|
| as cut | |
| one side polished | |
| both side polished | |
| roughness | < micron |
| orientation accuracy | < deg. |
| mark for second direction | |
| reference flat | |

| | | |
|-----|---|----|
| A = | Ø | mm |
| B = | Ø | mm |
| C = | | mm |

| | | | | | | | |
|-------|----------|-------|------|-----------------|-------------|---|--|
| | | | | Maßstab - | | | |
| | | | | : | | | |
| | | | | : | | | |
| | | | | : | | | |
| | | | | Datum | Name | Kristallgeometrie (Scheibe, zwei Orientierungen) | |
| | | | | Bearb. 14.07.04 | Schröter | | |
| | | | | Gepr. . | . | | |
| | | | | Norm | | | |
| | | | | | | 006 | |
| | | | | | | | |
| | | | | | | Blätter | |
| Zust. | Änderung | Datum | Name | Ursprung | Ersatz für: | Ersatz durch: | |